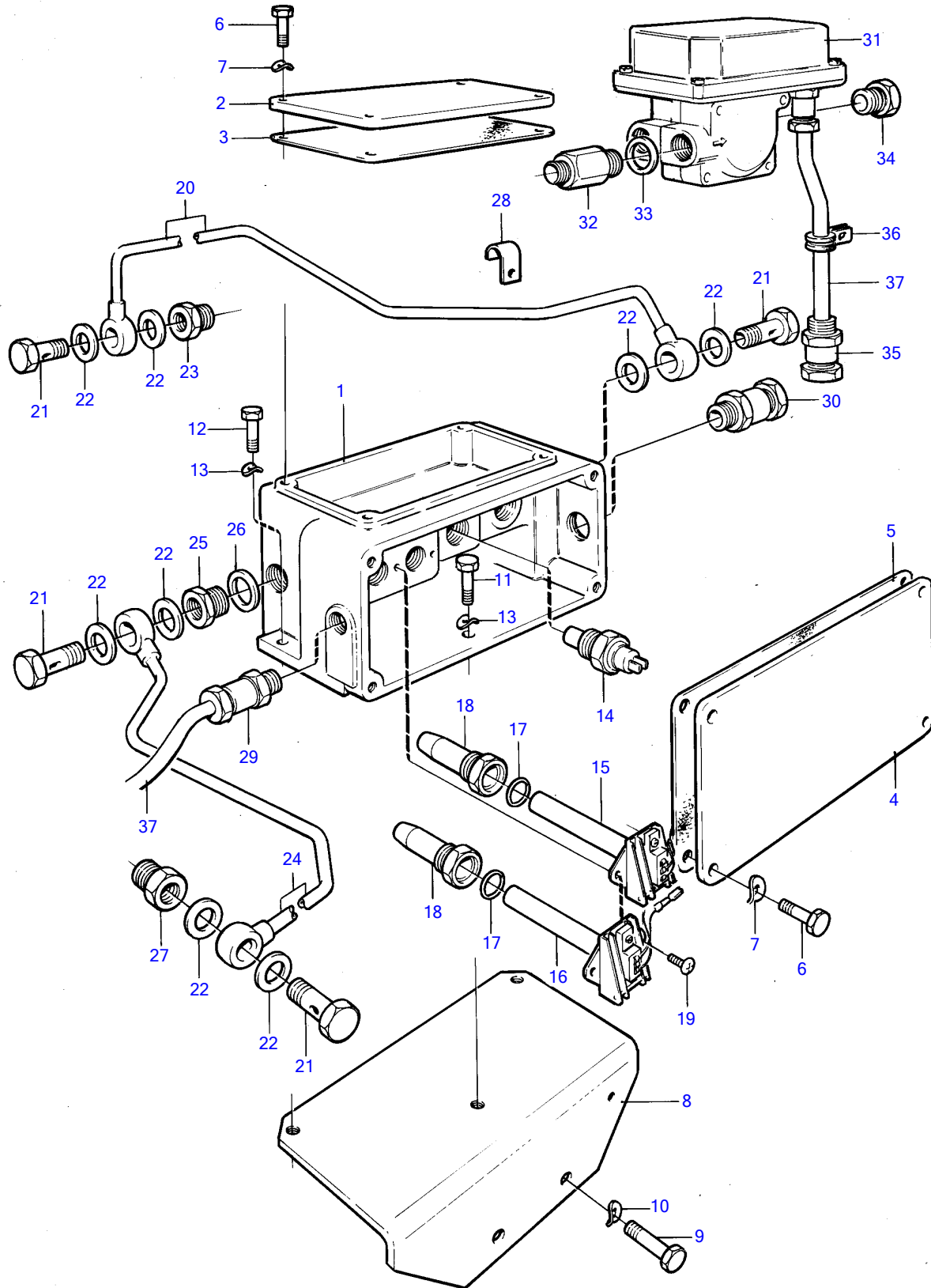


TAMD122A, TMD122A



6633

TAMD122A, TMD122A

REF	PART NO.	QTY	DESCRIPTION	SEE SEC.	NOTES
1	(843686)	1	Housing		Obsolete part
2	(844039)	1	Cardboard tube		Obsolete part
3	844041	1	Gasket		
4	(843687)	1	Cover		Obsolete part
5	843690	1	Gasket		
6	955272	8	Hexagon screw		
7	941906	8	Spring washer		
8	(844126)	1	Bracket		Obsolete part
9	940162	2	Hexagon screw		
10	942336	2	Spring washer		
11	955295	1	Hexagon screw		
12	959220	1	Hex. socket screw		L=20mm
	959222	1	Hex. socket screw		L=25mm
13	941907	3	Spring washer		
14	827150	1	Sensor		
15	843769	1	Thermo monitor, stop		
16	843767	1	Thermo monitor, alarm		
17	957179	2	Gasket		
18	843288	2	Sleeve		
19	956063	3	Cross recessed screw		
20	844129	1	Tube		
21	25167	4	Hollow screw		
22	957178	8	Gasket		
23	844127	1	Nipple		
24	(844128)	1	Tube		Obsolete part
25	(843689)	1	Nipple		Obsolete part
26	957183	1	Gasket		
27	844127	1	Nipple		
28	942542	1	Clamp		
29	881191	1	Grommet		
30	881193	1	Grommet		
31	846622	1	Flow monitor		
32	846632	1	Nipple		
33	969011	1	Gasket		
34	844127	1	Nipple		
35	822327	1	Grommet		
36	952630	5	Clamp		D=17,5mm
	952633	3	Clamp		D=22,2mm
	952637	2	Clamp		D=25,4mm
	952641	5	Clamp		D=34,9mm
37		X	electrical materials	1963	